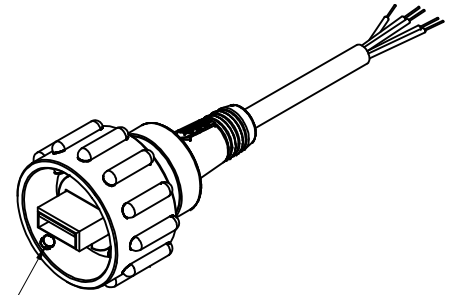
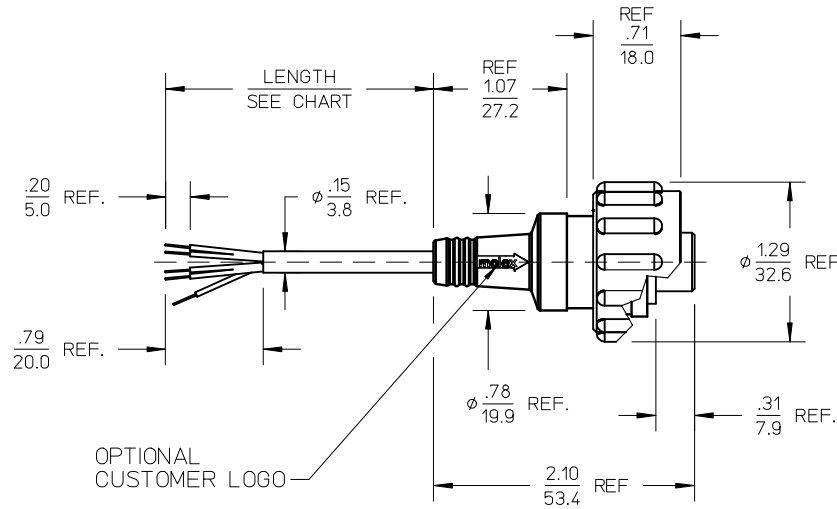


PART NO.	LENGTH	REF. OVERALL LENGTH G
847271002	1.5M (4' 11.06")	1.55M (5 FT 1 1/8 IN)
847271001	2.0M (6' 6.74")	2.05M (6 FT 8 13/16 IN.)
847271003	3.0M (9' 10.10")	3.05M (10 FT 3/16 IN)
847271004	5.0M (16' 4.85")	5.05M (16 FT 6 7/8 IN)
847271005	0.15M (0' 5.91")	.20M (0 FT 8 IN)



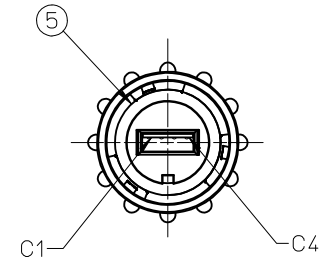
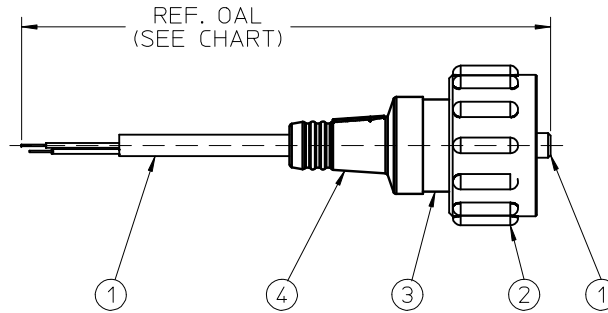
BAYONET STYLE LOCKING INTERFACE

P1

RED	1
WHT	2
GRN	3
BLK	4
DRAIN	

SHIELD

WIRING DIAGRAM



NOTES: UNLESS OTHERWISE SPECIFIED.

1. MATERIAL: SEE TABLE.
2. FINISHES: SEE TABLE.
3. PACKAGING: SEALED POLY BAG.
4. MATES WITH: USB TYPE-A RECEPTACLES.
5. ASSEMBLY IS RoHS COMPLIANT.

ITEM	QTY.	DESCRIPTION	MATERIAL	FINISH
5	1	GASKET SEAL	NITRILE	BLACK
4	1	OVER MOLDING	PVC	BLACK
3	1	HOLDER	POLYESTER	BLACK
2	1	COUPLING RING	POLYESTER	BLACK
1	1	USB TYPE-A PLUG SHIELDED PIGTAIL	STEEL/PLASTIC	

ADDED OAL EC NO: WNA2009-0326 DR: WNRSTONE 2008/11/14 CHK: B. RUPERT APPR: J. MURPHY 2008/11/24 G	QUALITY SYMBOLS ▽=0 ▽=0	GENERAL TOLERANCES (UNLESS SPECIFIED)		DIMENSION STYLE IN/MM		SCALE 1:1	DESIGN UNITS INCH	THIRD ANGLE PROJECTION	
		4 PLACES ± --- ± --- 3 PLACES ± --- ± .005 2 PLACES ± 0.13 ± .01 1 PLACE ± 0.3 ± --- ANGULAR ± 2 °		DRAWN BY DATE S. GILBERT 06-30-04		TITLE PLUG, USB TYPE-A, SHIELDED, PIGTAIL CIC			
		DRAFT WHERE APPLICABLE MUST REMAIN WITHIN DIMENSIONS		CHECKED BY DATE G. ROBERTSON 10-05-04		Molex MOLEX INCORPORATED DOCUMENT NO. SD-84727-001 SHEET NO. 1 OF 1			
				APPROVED BY DATE AMP 10-05-04					
		MATERIAL NO. SEE CHART		THIS DRAWING CONTAINS INFORMATION THAT IS PROPRIETARY TO MOLEX INCORPORATED AND SHOULD NOT BE USED WITHOUT WRITTEN PERMISSION					